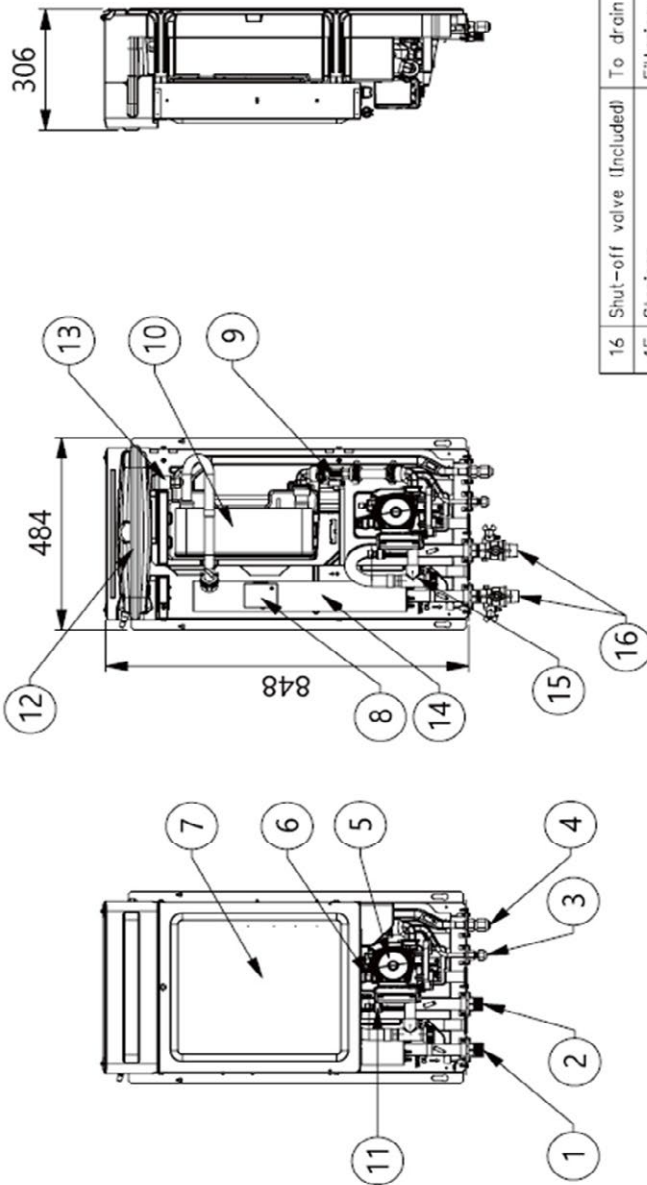


# THERMA V Split - Hydro box HN1616~36M.NK5

[Unit: mm]  
 Chassis code : K1  
 P/No.:T-C01609876\_rev.01

**Note**  
 1. Unit should be installed in compliance with the installation manual in the product box.  
 2. Unit should be grounded in accordance with the local regulations or applicable national codes.  
 3. All electrical components and materials to be supplied from the site must comply with the local regulations or international codes.



No.	Part Name	Description
16	Shut-off valve (Included)	To drain or to block water when connecting pipe
15	Strainer	Filtering and stacking particles inside circulating water
14	Backup Heater	6 kW
13	Air Vent	Air purging when charging water
12	Expansion Tank	Absorbing Volume change of heated water
11	Water Pressure Sensor	SENSATA 2HMP3-04W 0-2MPa
10	Plate Heat Exchanger	Heat exchange between refrigerant and water
9	Flow Sensor	SIKA VVX20 5-80 LPM
8	Thermostat	Cut-off power input to electric heater at 90°C
7	Control Box	PCB and terminal blocks
6	Safety Valve	Open at water pressure 3 bar
5	Water Pump	GRUNDFOS UPML 20-105 CHBL
4	Refrigerant Pipe	∅ 15.88 mm
3	Refrigerant Pipe	∅ 9.52 mm
2	Entering Water Pipe	Male PT 1 Inch
1	Leaving Water Pipe	Male PT 1 Inch